

Door closers

CTO 66

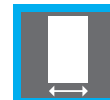
INTHER



EN 1634-1



PINION



≤950



60 kg

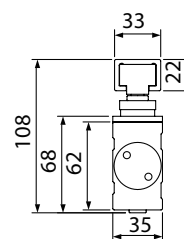
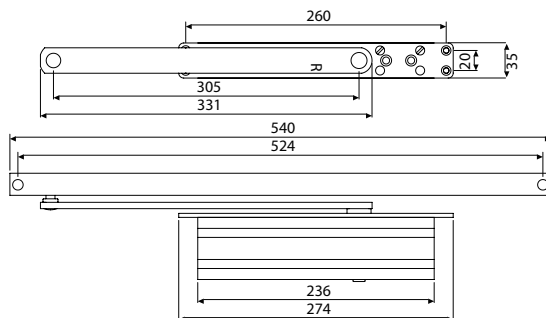
EN
3

EN
1154



Technical Specifications

- Strength 3
- Door width ≤ 950
- Rack-pinion system
- Latching speed regulation (LC) 15°-0°
- Closing speed regulation 105°-15°
- Back check (BC) 80°-105°
- Door leave thickness ≥ 45 mm.
- CE mark
- Suitable for for Fire Resistant doors (FR)



Guide: 540 x 33 x 22

Available finished colors

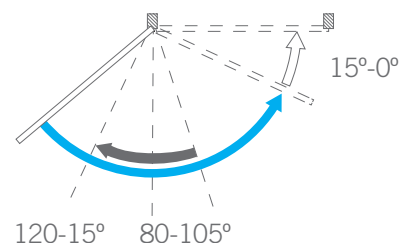


Silver(PL)

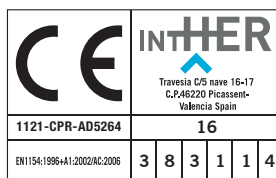
Specifications

Code	Description	Finished	Retention	Set
60125	CTO66 EN 3	PL	-	1/4
14806	Retention CTO66	-	✓	1/2
14808	Backe check CTO66	-	✓	1/100

Consult our technical office for other finishes colours.



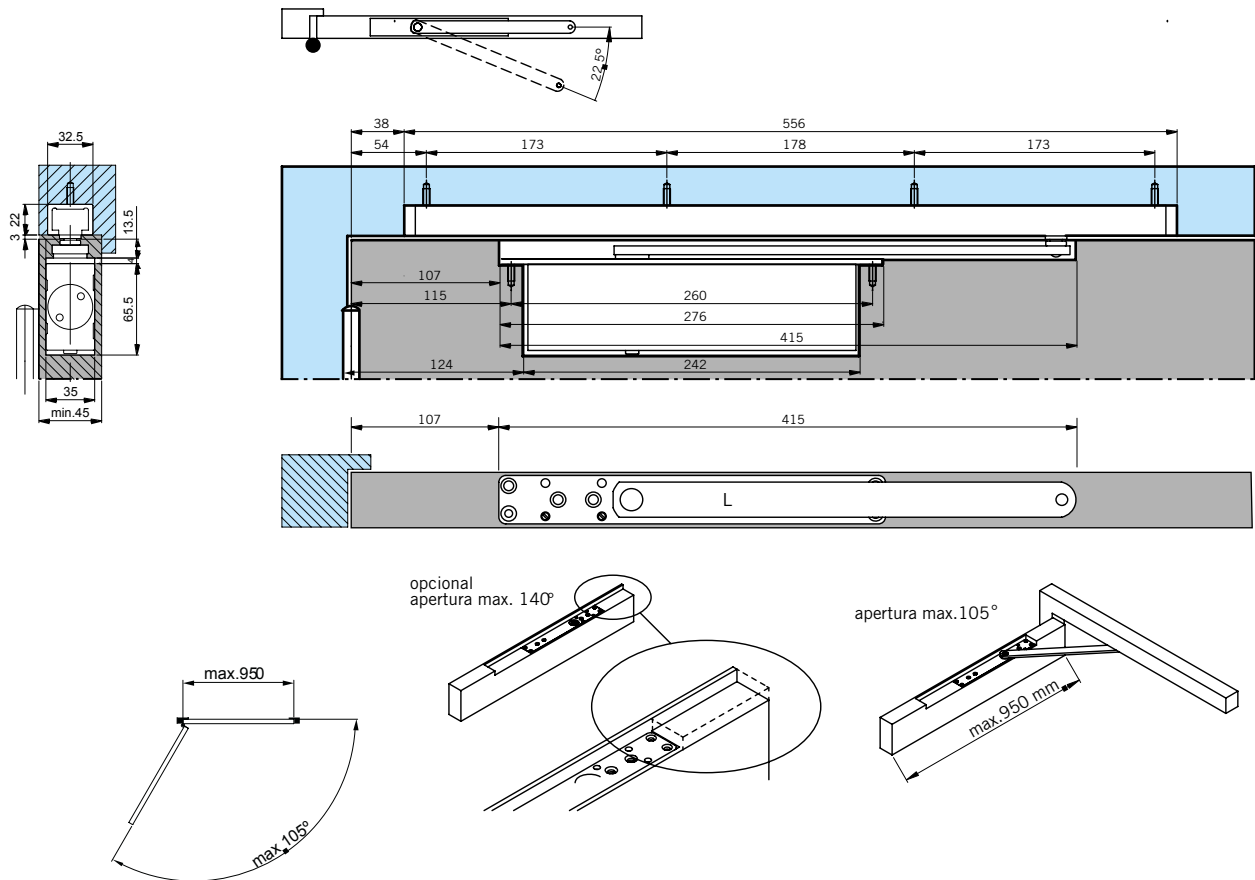
- ⇨ Latching speed (LC)
- ⇨ Closing speed
- ⇨ Back check (BC) de 80-105°



EN 1634-1

Download the specifications in www.inther.es

Standardd assembly



Inverted assembly

