

Door closers

CTO 96 EN 2-4

INTHER



EN 1634-1



CAM



≤1100



80 kg

EN
2-4

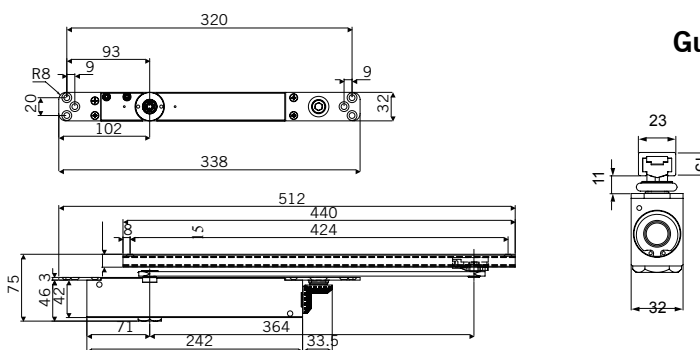
EN
1154



Technical Specifications

- Regulable strength 2-4
- Door width ≤ 1100
- Cam mechanism
- Latching speed regulation (LC) 7°-0°
- Closing speed regulation 120°-7°
- Door leave thickness ≥ 40 mm.
- CE mark
- Suitable for for Fire Resistant doors (FR)

Guide: 440 x 23 x 15



Available finished colors

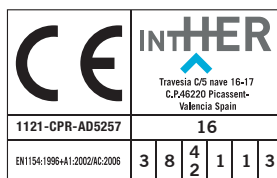
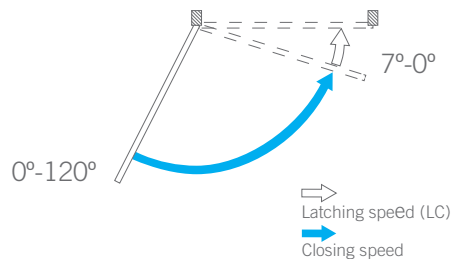


Silver(PL)

Specifications

Code	Description	Finished	Retention	Set
14510	Door closers CTO96 EN2-4 wide guide	PL	-	6/210
12497	CTO96 EN 2-4	PL	-	1/6
14467	Retention CTO96	PL	✓	1/100
14809	Back check CTO96	-	✓	1/100
15602	Fixing profile AL CTO96	-	-	-
15513	Spare narrow guide CTO96	-	-	1/100

Consult our technical office for other finishes colours.



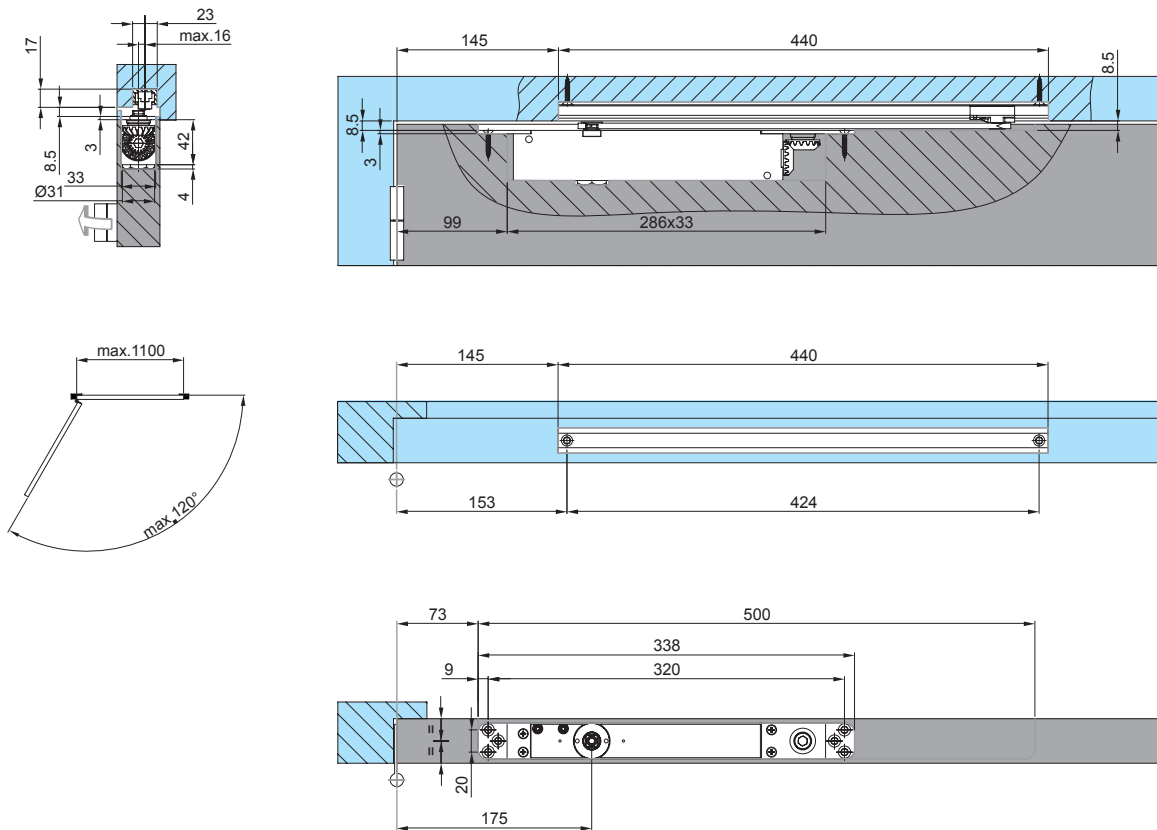
EN 1634-1

Download the specifications in www.inther.es

Door closers

CTO 96 EN 2-4

Standard assembly



Inverse assembly

