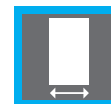
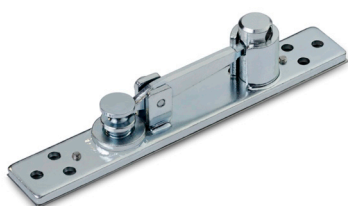


Door closers

CTS 300 (for glass doors)

INTHER



≤1000



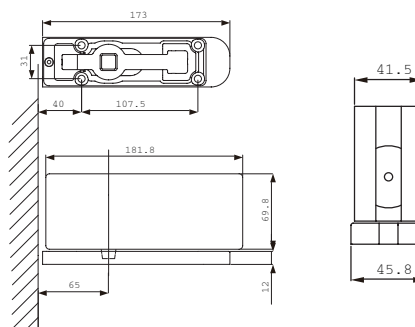
100 kg

EN
3



Technical Specifications

- Strength 3
- Door width ≤ 1000
- Latching speed regulation (LC) 15°-0°
- Closing speed regulation 110°-15°
- Retention 90°
- Maximum aperture angle 110°
- Glass thickness 8-13,5 mm.



Available finished colors

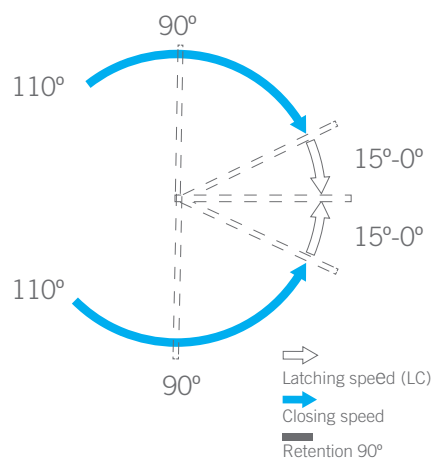


Inox

Specifications

Code	Description	Finished	Retention	Set
13943	Door closers CTS 300 EN 3	INOX	✓	1/6
13639	ADJUSTABLE TOP BOLT WITH BEARING	-	-	1/20
14854	TOP CLAMP CTS 300	INOX	-	1/6

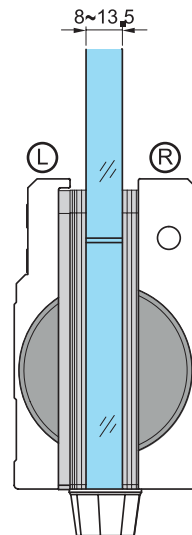
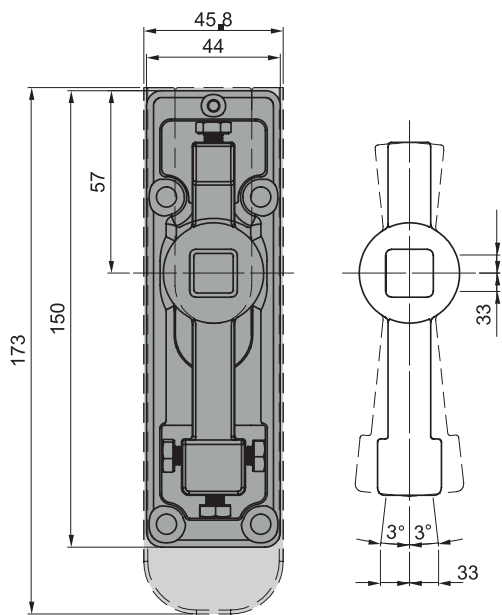
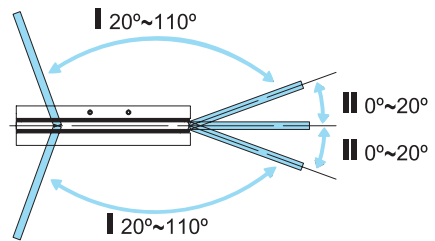
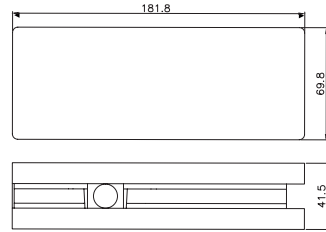
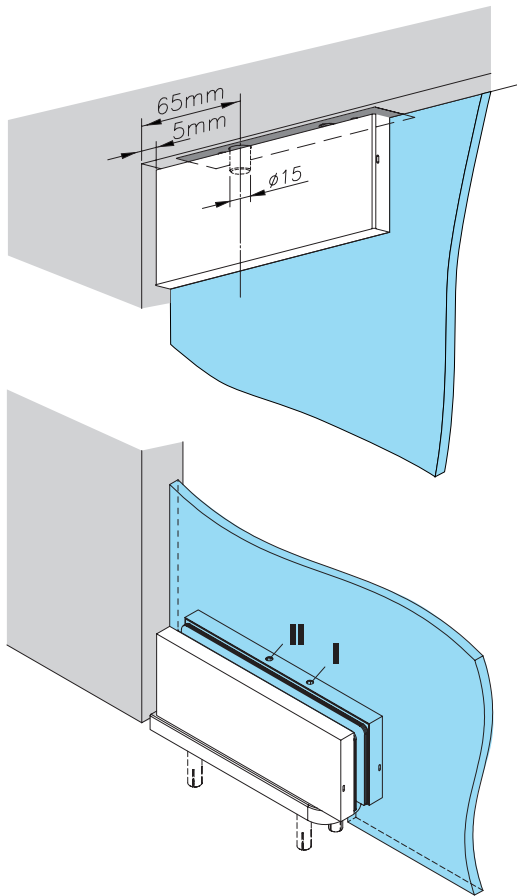
* Hinges and glass accessories are available in the Fitting Glass Catalog.



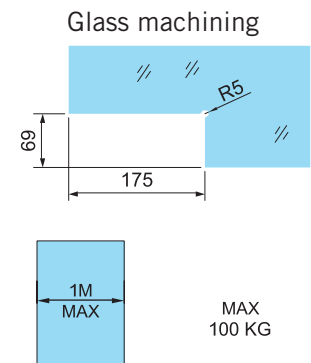
Download the specifications in www.inther.es

Door closers

CTS 300



T	0,5mm		1mm		2,5t
	LR	LR			L
8	1	1	2	2	1
10	1	1	1	1	1
12	1	1	0	0	1
13,5	1	0	1	0	1



MAX
100 KG