

Door closers

CTB 72

INTHER



EN 1634-1



PINION



≤1100



80 kg

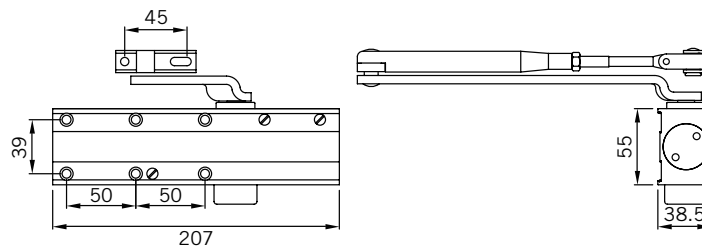
EN
2-4

EN
1154



Technical Specifications

- Regulable strength 2-4
- Door width ≤1100
- Rack-pinion system
- Latching speed regulation (LC) 15°-0°
- Closing speed regulation 180°-15°
- CE mark
- Suitable for for Fire Resistant doors (FR)



Available finished colors



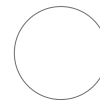
Gold(ORO)



Silver(PL)



Black(NE)

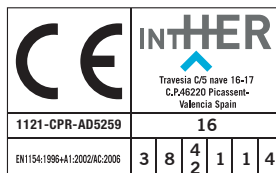
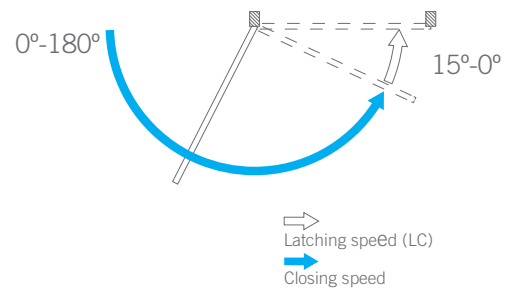


White(BL)

Specifications

Code	Description	Finished	Retention	Set
12489	CTB72 EN 2-4	PL	-	1/6
13629	CTB72 EN 2-4	NE	-	1/6
13628	CTB72 EN 2-4	BL	-	1/6
13920	CTB72 EN 2-4	ORO	-	1/6
12496	CTB72 EN 2-4	PL	✓	1/6
13627	CTB72 EN 2-4	NE	✓	1/6
13626	CTB72 EN 2-4	BL	✓	1/6
13919	CTB72 EN 2-4	ORO	✓	1/6

* With retention option, is not considering suitable for fire proof doors.



1121-CPR-AD5259

16

EN1154:1996+A1:2002/AC:2005

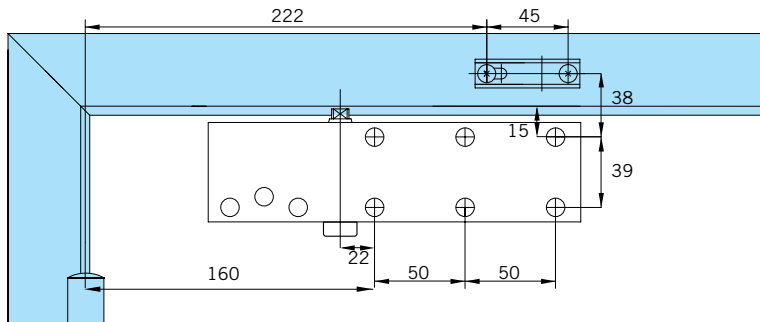
3 8 4 2 1 1 4



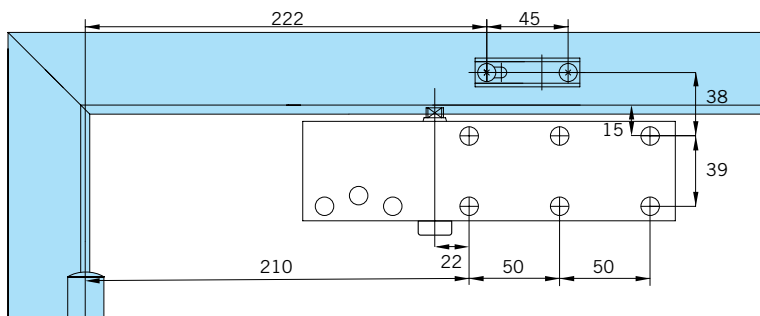
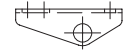
EN 1634-1

Download the specifications in www.inther.es

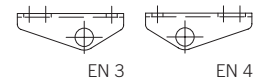
Dimensions



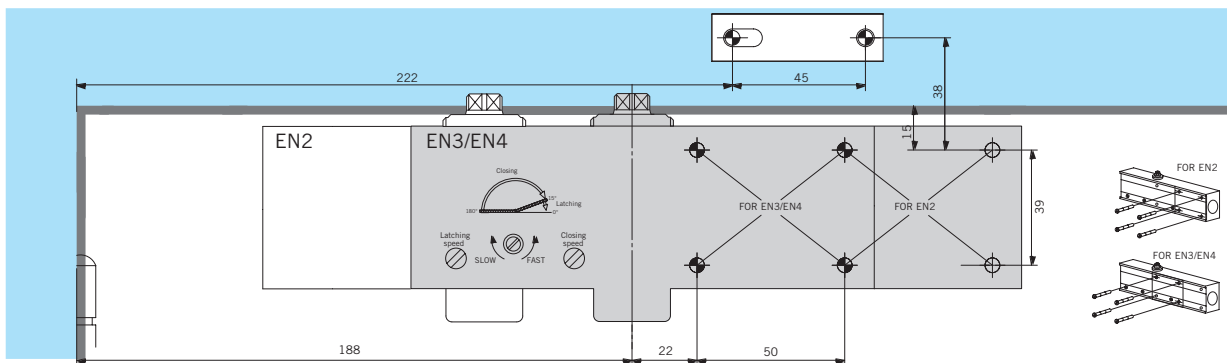
ASSEMBLY DIMENSIONS EN2



ASSEMBLY DIMENSIONS EN3/EN4



Standard assembly



Inverted assembly

