

# Door closers

CTO 96 EN 3-6

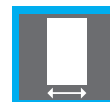
INTHER



EN 1634-1



CAM



≤1400



120 kg

EN  
3-6

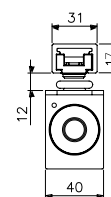
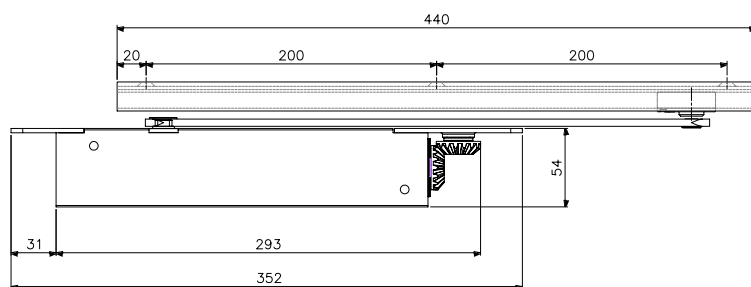
EN  
1154



## Technical Specifications

- Regulable strength 3-6
- Door width ≤ 1400
- Cam mechanism
- Latching speed regulation (LC) 10°-0°
- Closing speed regulation 120°-10°
- CE mark
- Suitable for for Fire Resistant doors (FR)

Guide: 440 x 31 x 17



## Available finished colors

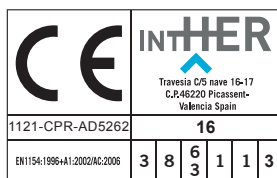
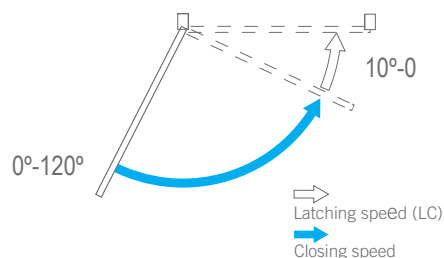


Silver(PL)

## Specifications

Code	Description	Finished	Retention	Set
14953	CTO96 EN 3-6	PL	-	1/6
14943	Retention CTO96	-	✓	100
14807	Backe check CTO96	-	✓	100

\* With retention option, is not considering suitable for fire proof doors.



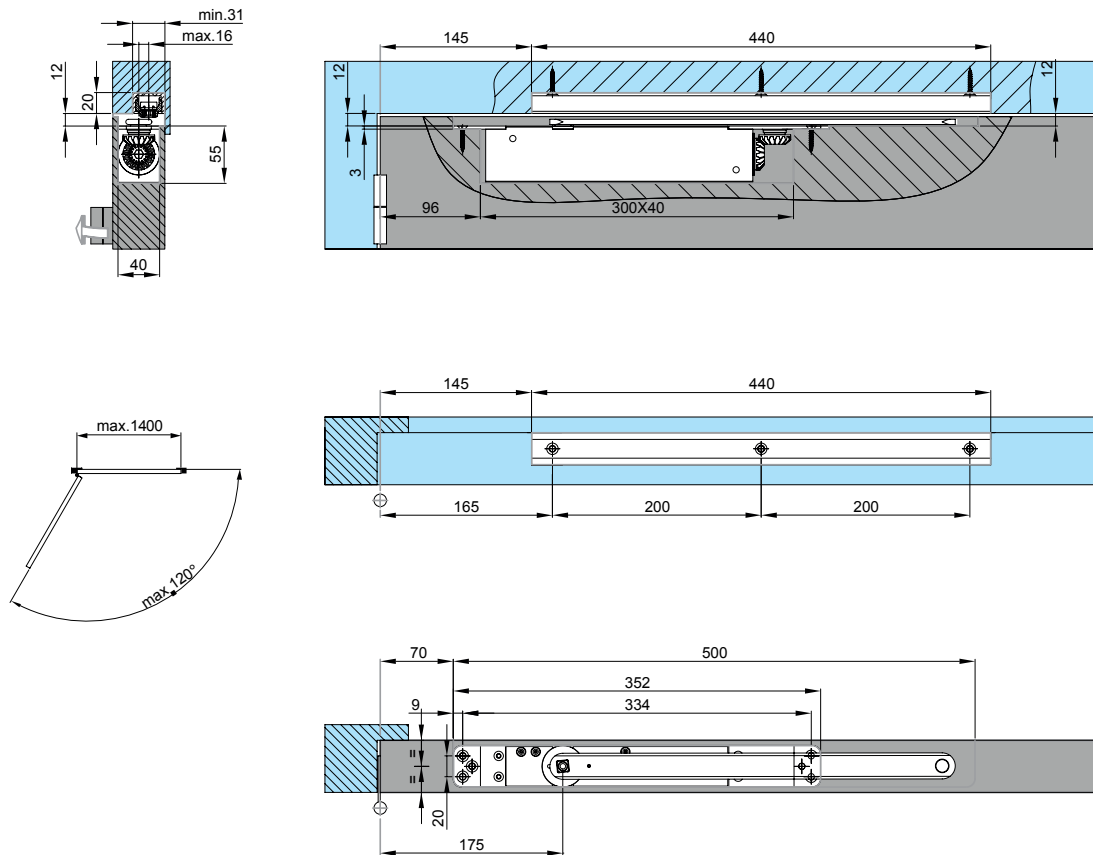
EN 1634-1

Download the specifications in [www.inther.es](http://www.inther.es)

# Door closers

CTO 96 EN 3-6

## Standard assembly



## Inverse assembly

