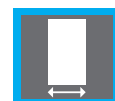
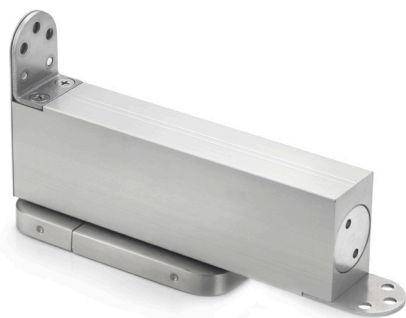


Door closers

CTS 330 (for wooden doors)

INTHER
↑



1000

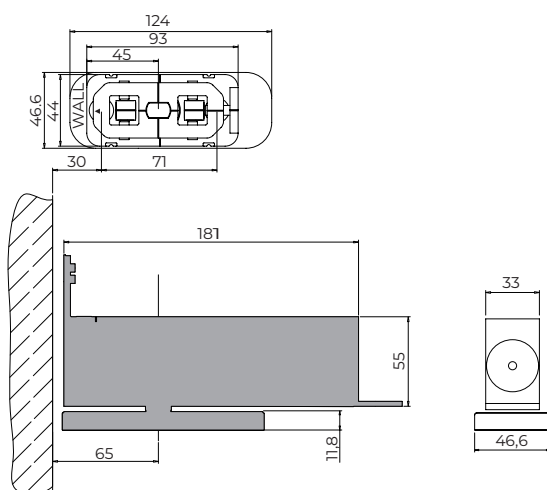


100 kg

EN
3

Technical Specifications

- Strength 3
- Max. Door width 1000
- Latching speed regulation (LC) 15°-0°
- Closing speed regulation 90°-15°
- Retention 90°
- Max aperture angle 150°
- Min. timber door thickness(mm) 40 mm.



Available finished colors

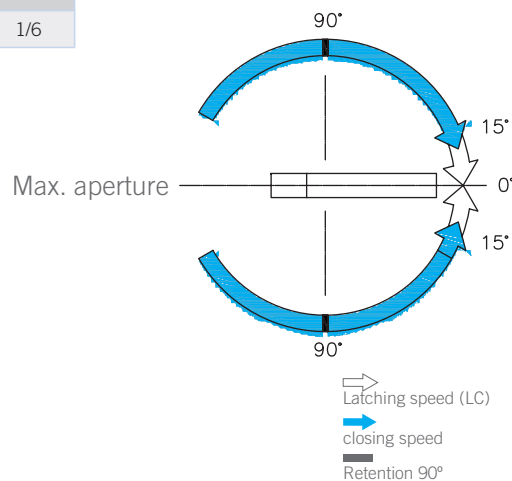


Inox

Specifications

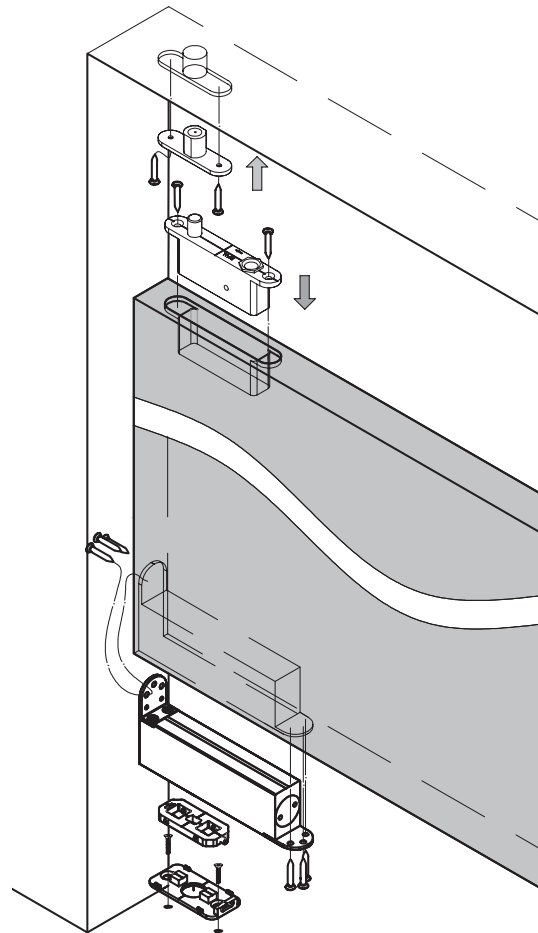
Code	Description	Finished	Retention	Set
16075	Door closers CTS 330 EN 3	INOX	✓	1/6

*See glass hinges and accessories in the specific glass fittings catalogue.

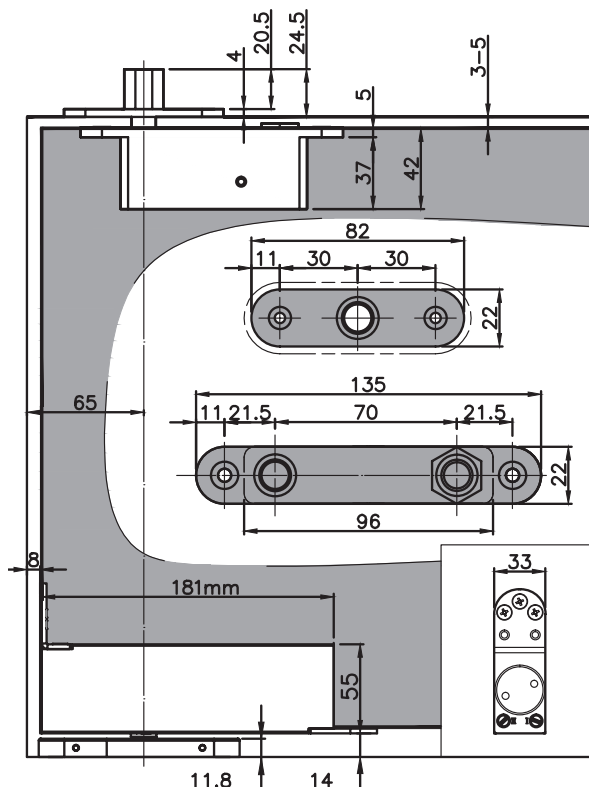


Download the specifications in www.inther.es

Installation



Dimensions



Adjustment

