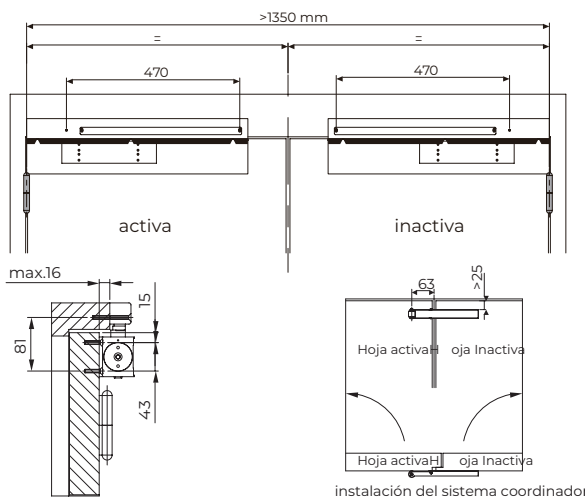


Electromagnetic selector

CTG 91 - CTG 92 - CTG 93

INTHER
↑



EN 1634-1



≤1200

EN
1154



Technical Specifications

- Door width >1350mm.
- Valid for CTG 91-92-93.
- Suitable for fire doors.
- Electromagnetic retention system integrated in the guide.

Colores disponibles



Plata

Características

Code	Description	Finished	Retention	Set
16074	Electromagnetic selector CTG93/CTG92/CTG91	PL	-	1/2

Consult our technical office for other finishes colours.

Download the specifications in www.inther.es