

Door closers

CTB 69

INTHER



EN 1634-1



PINION



≤1100



80 kg

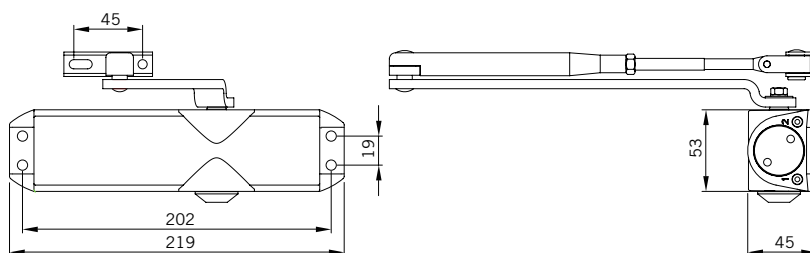
EN
2-4

EN
1154



Technical Specifications

- Regulable Strength 2-4
- Door width ≤ 1100
- Rack-pinion system
- Latching speed regulation (LC) 15°-0°
- Closing speed regulation 180°-15°
- CE mark
- Suitable for for Fire Resistant doors (FR)



Available finished colors



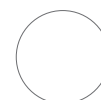
Gold(ORO)



Silver(PL)



Black(NE)

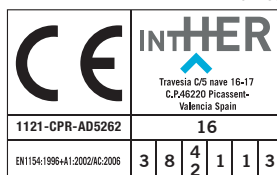
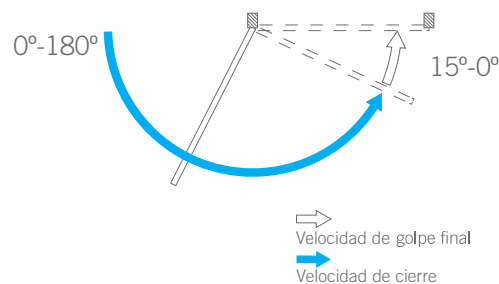


White(BL)

Specifications

Code	Description	Finished	Retention	Set
13632	CTB69 EN 2-4	PL	-	1/6
13634	CTB69 EN 2-4	NE	-	1/6
13633	CTB69 EN 2-4	BL	-	1/6
13918	CTB69 EN 2-4	ORO	-	1/6
13635	CTB69 EN 2-4	PL	✓	1/6
13637	CTB69 EN 2-4	NE	✓	1/6
13636	CTB69 EN 2-4	BL	✓	1/6
13917	CTB69 EN 2-4	ORO	✓	1/6

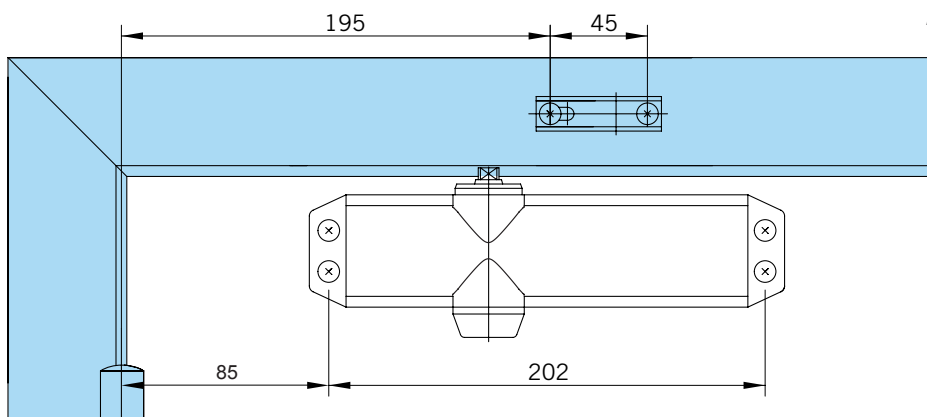
* With retention option, is not considering suitable for fire proof doors.



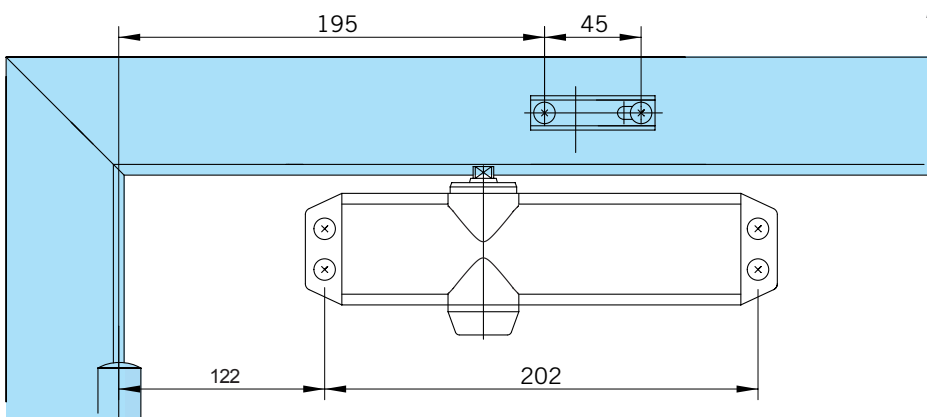
EN 1634-1

Download the specifications in www.inther.es

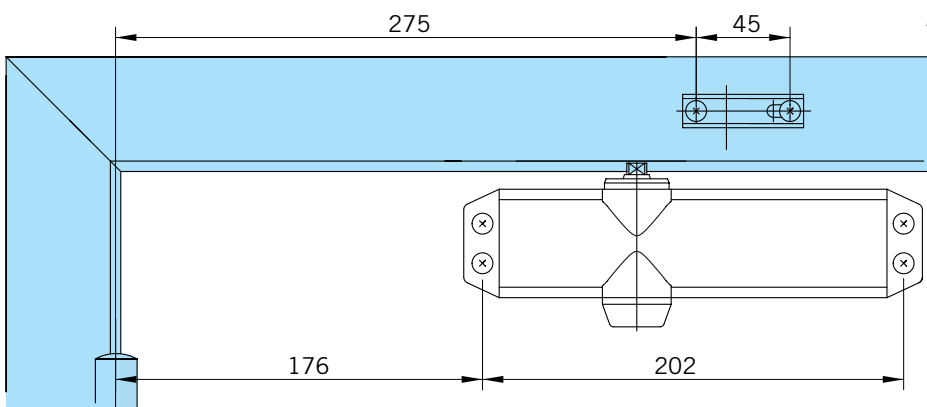
Dimensions



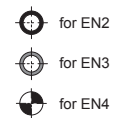
ASSEMBLY DIMENSIONS EN2



ASSEMBLY DIMENSIONS EN3



ASSEMBLY DIMENSIONS EN4



Selectable strength 2-4 (BS EN1154:1997)

