

Door closers

CTB 76

INTHER



EN 1634-1



PINION



≤ 950



60 kg

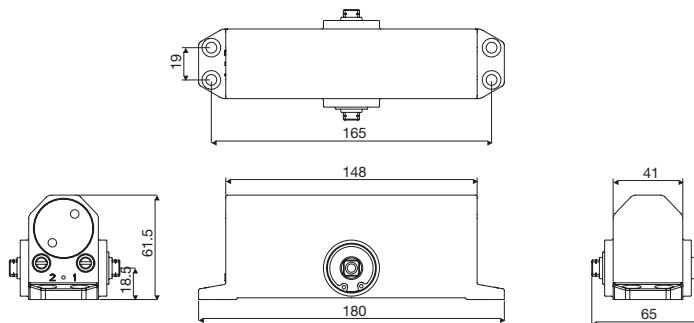
EN
3

EN
1154



Technical specifications

- Strength 3
- Door width ≤ 950
- Rack-pinion system
- Latching speed regulation (LC) 15°-0°
- Closing speed regulation 180°-15°
- CE mark
- Suitable for for Fire Resistant doors (FR)



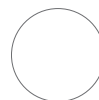
Available finished colors



Silver(PL)



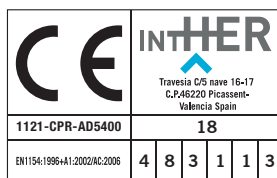
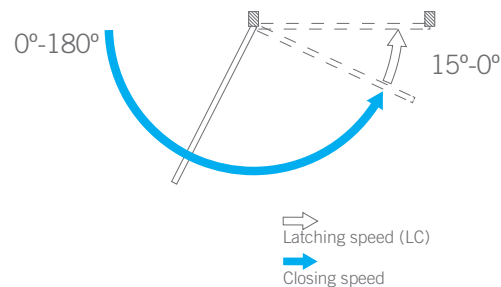
Black(NE)



White(BL)

Specifications

Code	Description	Finished	Retention	Set
16016	CTB76 EN 3	PL	-	1/10
16017	CTB76 EN 3	NE	-	1/10
16018	CTB76 EN 3	BL	-	1/10
15631	CTB76 EN 3	PL	✓	1/10
15632	CTB76 EN 3	NE	✓	1/10
15633	CTB76 EN 3	BL	✓	1/10



1121-CPR-AD5400

18

EN1154:1996+A1:2002/AC:2005

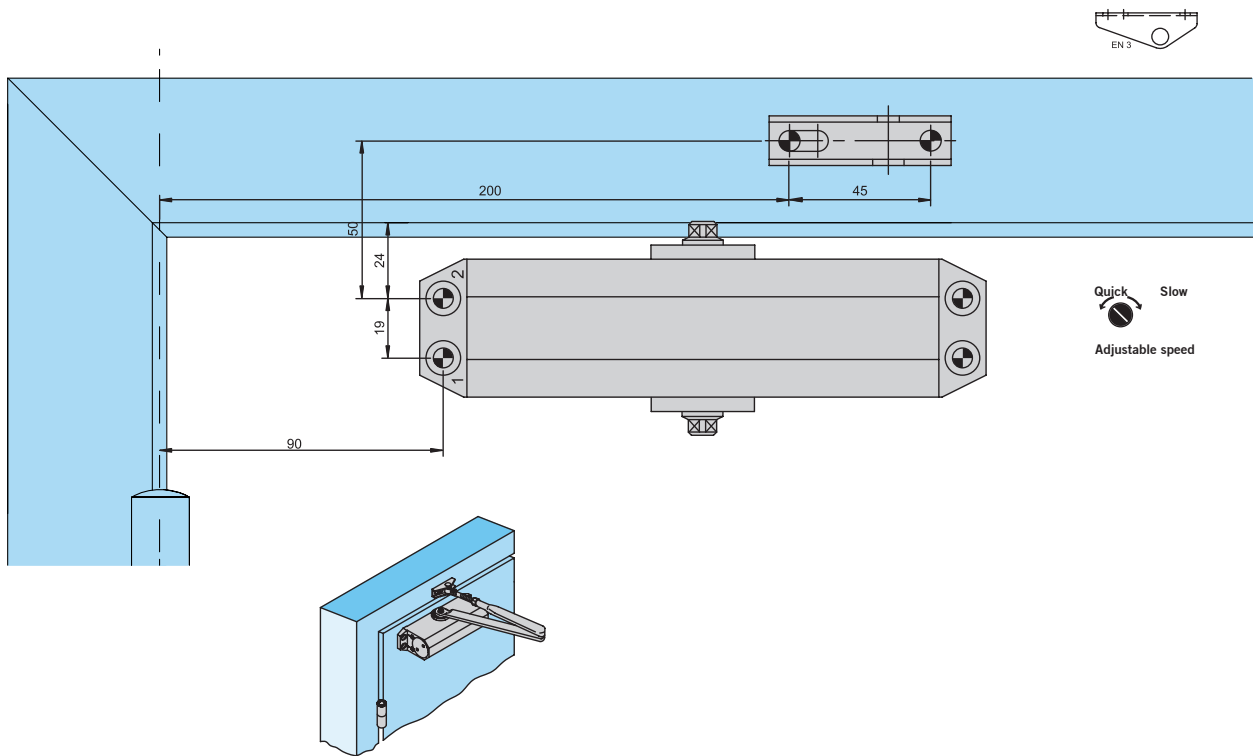
4 8 3 1 1 3



EN 1634-1

Download the specifications in www.inther.es

Left opening assembly



Right opening assembly

